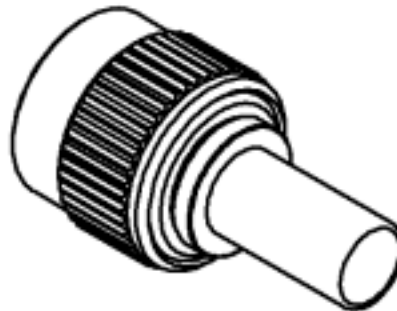
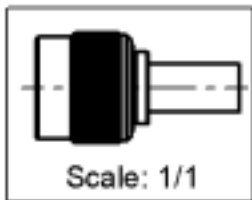
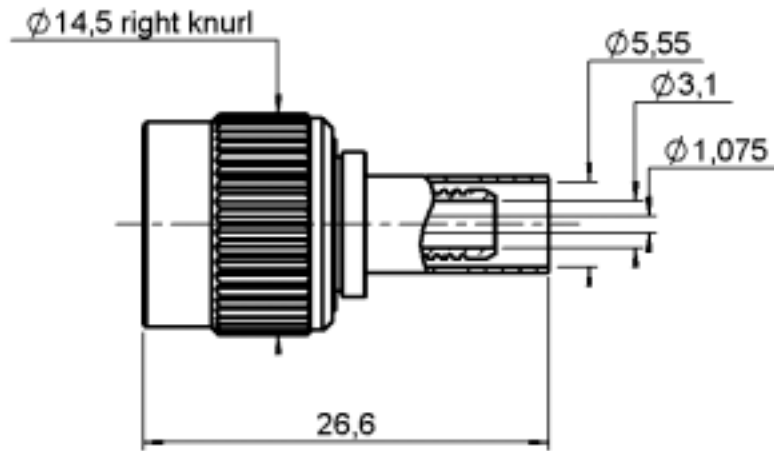


RP TNC STRAIGHT PLUG CRIMP TYPE

R300.143.062

CABLE 5/50S

Series :
REV.POLARITY



All dimensions are in mm.



COMPONENTS	MATERIALS	PLATINGS (μm)
BODY	BRASS	NICKEL 2
CENTER CONTACT	BERYLLIUM COPPER	GOLD 0.5 OVER NICKEL 2
OUTER CONTACT	BRASS	NICKEL 2
INSULATOR	PTFE	
GASKET	-	
OTHERS PARTS	-	
-	-	
-	-	

Issue : 0321 B

In the effort to improve our products, we reserve the right to make changes judged to be necessary.



RP TNC STRAIGHT PLUG CRIMP TYPE

R300.143.062

CABLE 5/50S

Series :
REV.POLARITY

PACKAGING

Standard	Unit	Other
100	'W' option	Contact us

SPECIFICATION

ELECTRICAL CHARACTERISTICS

Impedance	50	Ω
Frequency	0-11	GHz
VSWR	1.3 * + 0.000	x F(GHz) Maxi
Insertion loss	.06	\sqrt{F} (GHz) dB Maxi
RF leakage	- (NA	- F(GHz)) dB Maxi
Voltage rating	500	Veff Maxi
Dielectric withstanding voltage	1500	Veff mini
Insulation resistance	5000	M Ω mini

CABLE ASSEMBLY

Stripping	a	b	c	d	e	f
mm	4.00	8.50	15.6	0.00	11.6	0.00

Assembly instruction : **Crimp 02**

Recommended cable(s)
RG 58
KX 15
RG 141

Cable retention
- pull off **130** N mini
- torque **NA** N.cm

MECHANICAL CHARACTERISTICS

Center contact retention		
Axial force – Mating end	27	N mini
Axial force – Opposite end	27	N mini
Torque	NA	N.cm mini

Recommended torque		
Mating	NA	N.cm
Panel nut	NA	N.cm
Clamp nut	NA	N.cm
A/F clamp nut	0.000	mm

Mating life	500	Cycles mini
Weight	10.900	g

TOOLING

Part Number	Description	Hexagon
.	.	.
R282.223.000	CRIMPING TOOL	Hex 1.73 Hex 5.41
R282.235.011	CRIMPING DIES	Hex 1.73 Hex 5.41
R282.293.000	CRIMPING TOOL	Hex 1.73 Hex 5.41

OTHERS CHARACTERISTICS

*ROS 1.3 de 0 à 9 et 1.67 de 9 à 11

ENVIRONMENTAL

Operating temperature	-65/+165	$^{\circ}$ C
Hermetic seal	NA	Atm.cm3/s
Panel leakage	NA	

Issue : 0321 B

In the effort to improve our products, we reserve the right to make changes judged to be necessary.

